



PARTS BREAKDOWN

HOT WATER PRESSURE WASHER

MODEL:HW205EBA



BEPOWEREQUIPMENT

.COM

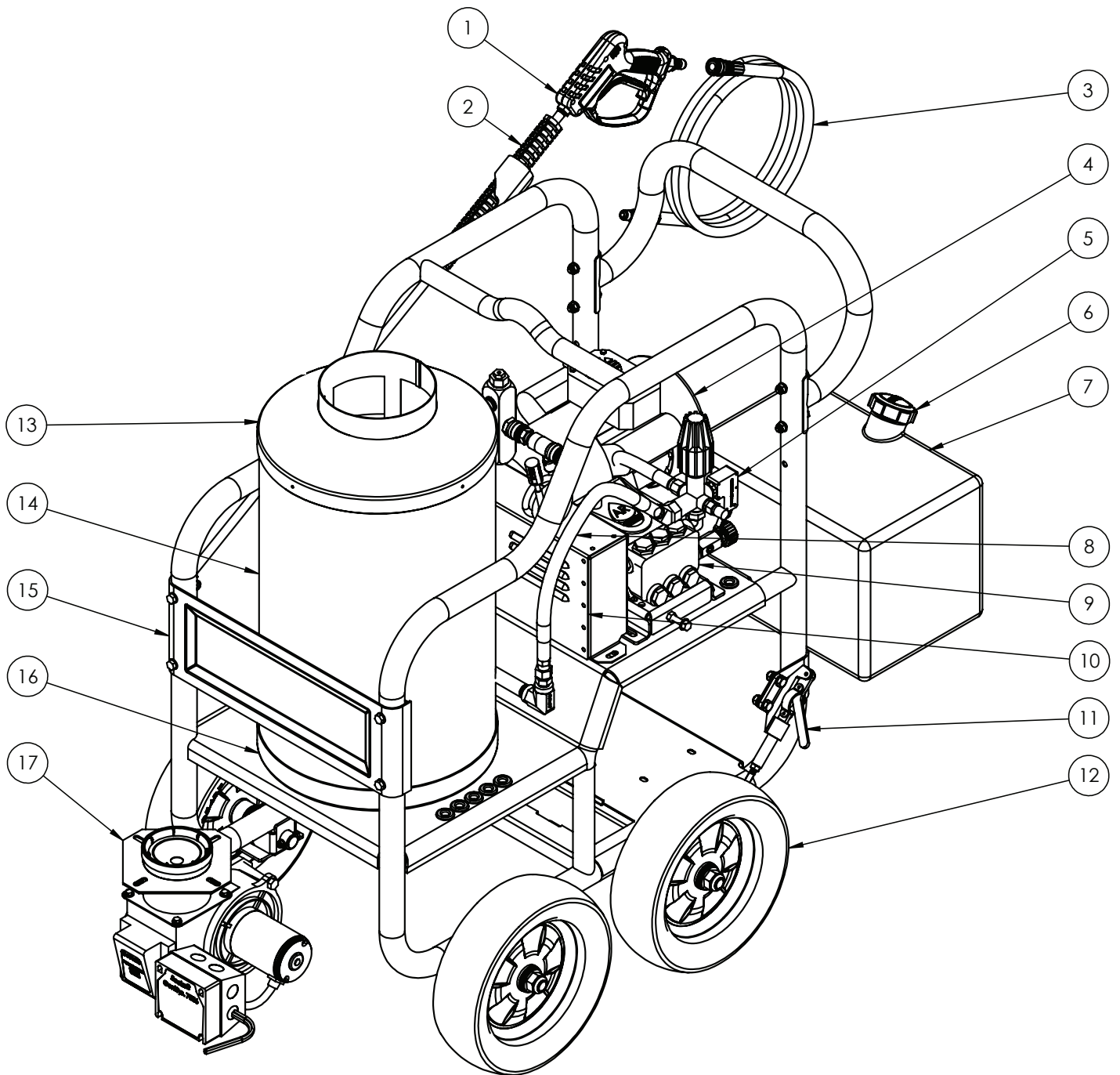


PARTS BREAKDOWN

HOT WATER PRESSURE WASHER

MODEL:HW205EBA

MAJOR COMPONENTS DIAGRAM



*PARTS LISTED ON NEXT PAGE



PARTS BREAKDOWN

HOT WATER PRESSURE WASHER

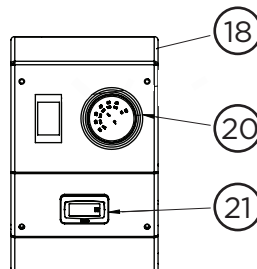
MODEL:HW205EBA

MAJOR COMPONENTS PARTS REFERENCE

REF #	DESCRIPTION	QTY	BE PART #
1	SPRAY GUN	1	85.202.109
2	SPRAY WAND	1	85.202.026
1 & 2	SPRAY GUN AND WAND ASSEMBLY	1	85.205.026
3	HOSE, 50' X 3/8" DOUBLE WIRE BRAIDED	1	85.238.251
4	TECHTOP 5HP MOTOR	1	72.301.005
5	PRESSURE SWITCH	1	85.300.083
6	FUEL TANK CAP	1	59.000.123
7	6 GALLON FUEL TANK	1	85.601.044
8	HOSE, 20" X 3/8"	1	85.238.020J
9	PUMP ASSEMBLY - AR RCA35G25N-SX	1	85.129.065H
10	BELT GUARD	1	85.602.254
11	BRAKE ASSEMBLY	2	85.604.104
12	12" FLAT FREE WHEEL	4	85.660.054BF
13	TOP INSULATION	1	59.000.303
14	COIL ASSEMBLY	1	59.000.300
15	FRAME	1	85.600.252BK
16	BOTTOM INSULATION	1	59.000.304
17	WAYNE 230V BURNER	1	59.120.002
NOT SHOWN	DIESEL IN LINE FUEL FILTER	1	59.000.104
NOT SHOWN	RUPTURE DISC	1	59.000.101
NOT SHOWN	BELT	2	47.002.028
NOT LISTED	PUMP UNLOADER	1	AL607

CONTROL BOX

59.400.013



REF #	DESCRIPTION	QTY	BE PART #
18	CONTROL BOX	1	59.400.013
20	THERMOSTAT WITH INNER PROBE	1	85.400.071
21	HOUR METER	1	59.000.128

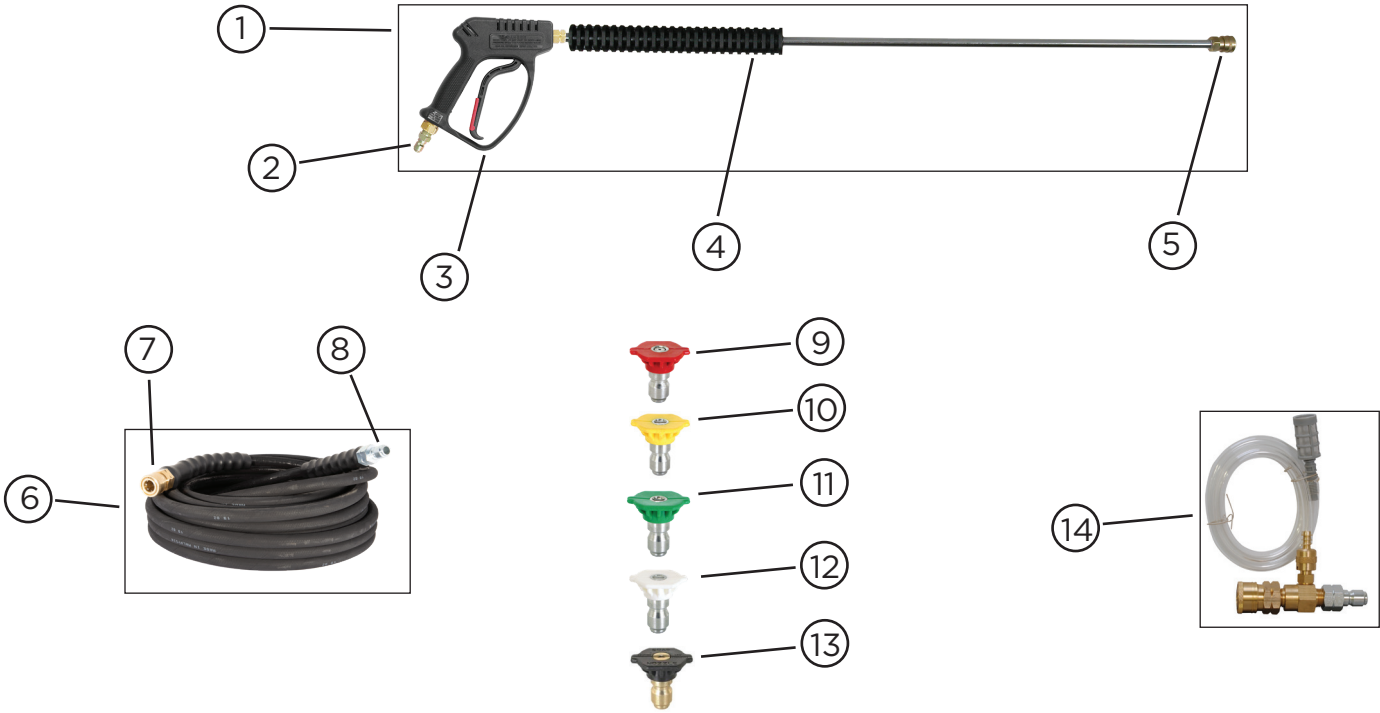


PARTS BREAKDOWN

HOT WATER PRESSURE WASHER

MODEL:HW205EBA

ACCESSORIES COMPONENTS



REF #	DESCRIPTION	QTY	BE PART #
1	SPRAY GUN-WAND ASSEMBLY	1	85.205.026
2	SPRAY GUN PLUG	1	85.300.105
3	SPRAY GUN	1	85.202.109
4	SPRAY WAND	1	85.202.026
5	SPRAY GUN 1/4" COUPLER	1	85.300.102
6	50' X 3/8" HOSE ASSEMBLY	1	85.238.251
7	3/8" HOSE COUPLER	1	85.300.103
8	3/8" HOSE PLUG	1	85.300.104
9	0° RED SPRAY NOZZLE, 035 ORIFICE	1	85.201.035
10	15° YELLOW SPRAY NOZZLE, 035 ORIFICE	1	85.216.035
11	25° GREEN SPRAY NOZZLE, 035 ORIFICE	1	85.226.035
12	40° WHITE SPRAY NOZZLE, 035 ORIFICE	1	85.241.035
13	BLACK SOAPER NOZZLE	1	85.266.400
14	ADJUSTABLE SOAP INJECTOR ASSEMBLY	1	85.400.000

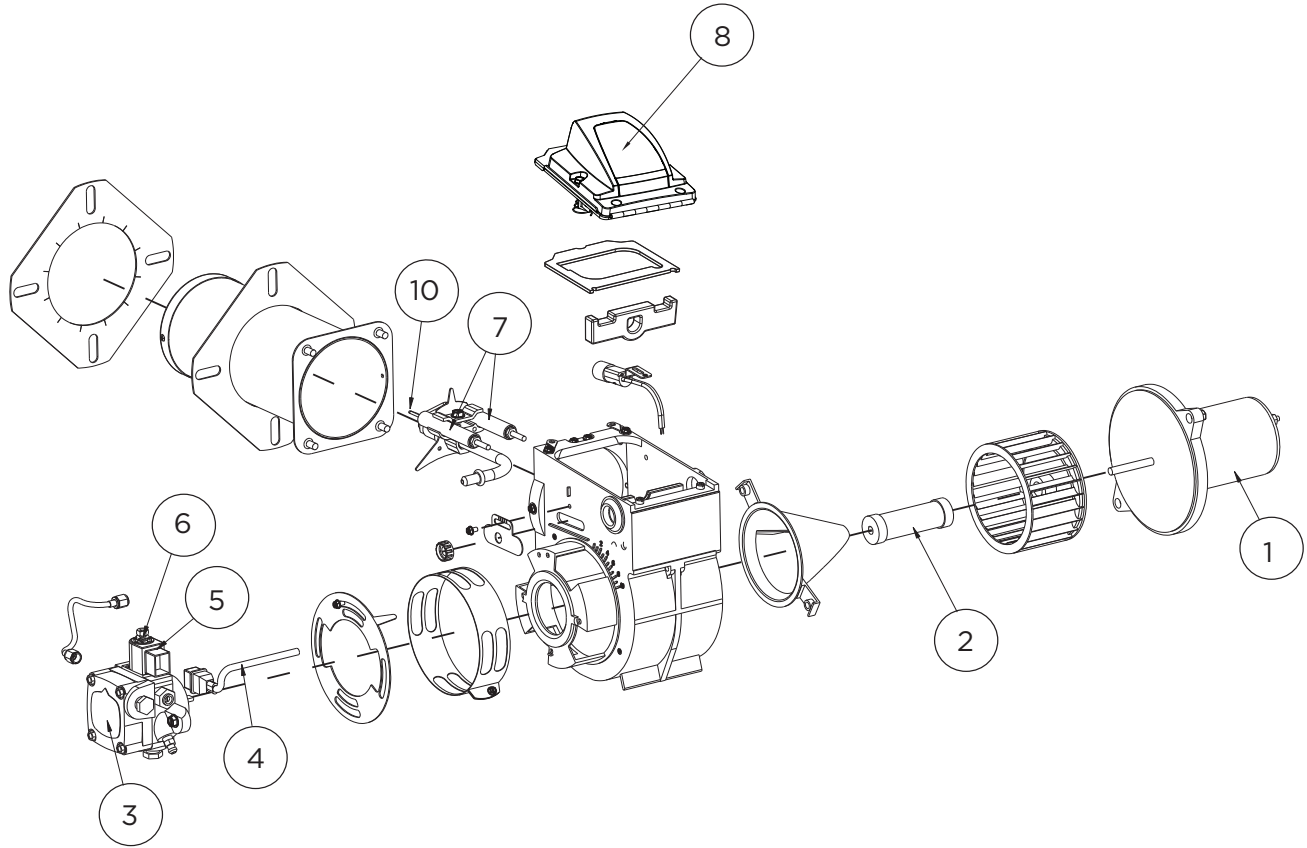


PARTS BREAKDOWN

HOT WATER PRESSURE WASHER

MODEL:HW205EBA

MSR 230V WAYNE BURNER
59.120.002



REF #	DESCRIPTION	QTY	BE PART #
1	BLOWER MOTOR	1	59.120.002
2	SHAFT COUPLING	1	59.121.012
3, 4, 5, 6	FUEL PUMP WITH SOLENOID	1	59.121.023
4, 5, 6	FUEL SOLENOID	1	59.121.024
7	ELECTRODE SET	1	59.121.005
8	IGNITIER	1	59.121.026



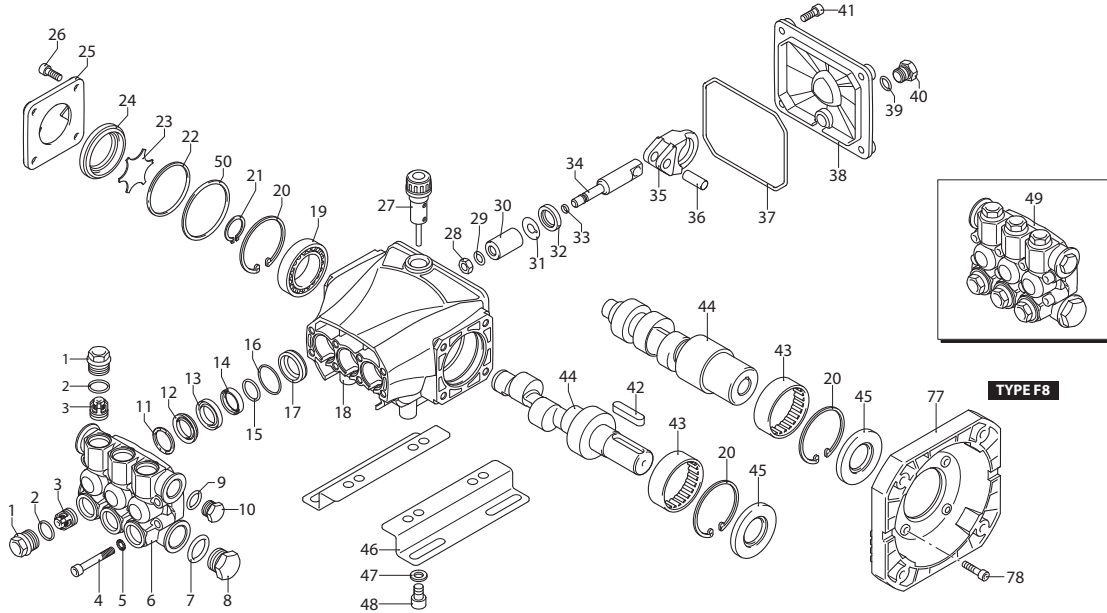
PARTS BREAKDOWN

HOT WATER PRESSURE WASHER

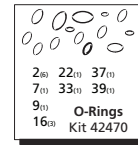
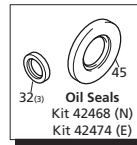
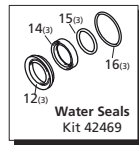
MODEL:HW205EBA

PUMP

85.129.065H



Repair Kits



Pos	Code	Description	Qty	Pos	Code	Description	Qty	Legend		
1	3200110	Valve cap	(216 in/lbs) 6	36	1780050	Conrod pin	3	Ø 18	Ø 18	Ø 18
	3201430	Valve cap Threaded 1/8"	(216 in/lbs) 6	37	2760280	O-Ring	1	For ○	For ●	For ◆
2	1200690	O-Ring ø 15.6x1.78	6	38	3200030	Rear cover	1	RCA25G25	RCA3G25	RCA35G25
3	2769050	Complete valve	(92 in/lbs) 6	39	820510	O-Ring ø 10.82x1.78	1			
4	800410	Screw M6x40	8	40	880581	Plug 1/4"G	1	For ■	For ≡	For ★
5	1381550	Washer	8	41	3200220	Screw 6x16	4	RCA2G22	RCA3G25	RCA35G16
6	3200020	Head	1	42	3200230	Key	1	RCA2G25		
7	180101	O-Ring ø 17.5x2	1	43	1321190	Bearing	1			
8	820361	Plug 1/2"G	(354 in/lbs) 1		3200330	Crankshaft - Solid Shaft	○1			
9	740290	O-Ring ø 14x1.78	1		3200310	Crankshaft - Solid Shaft	●1			
10	1980740	Plug 3/8"G	(221 in/lbs) 1		3200290	Crankshaft - Solid Shaft	◆1			
11	1780140	Ring	3		3201190	Crankshaft - Hollow Shaft	■1			
12	1780720	Gasket	3		3200180	Crankshaft - Hollow Shaft	≡1			
13	3200130	Piston guide	3		3200830	Crankshaft - Hollow Shaft	★1			
14	3200142	Gasket	3		1260750	Seal - Solid Shaft	1			
15	3200260	Ring	3	45	480671	Seal - Hollow Shaft	1			
16	770260	O-Ring ø 21.95x1.78	3	46	320210	Base	2			
17	3200120	Piston guide	3	47	1322640	Washer	4			
18	3200010	Pump body	1	48	850250	Screw M8x12	4			
19	1780490	Bearing	1	49	3209200	Head Assembly	1			
20	1260790	Snap ring	2	50	3201860	Ring ø 51.8x0.5	1			
21	1780550	Snap ring	1	77	1584	Flange (F8)	1			
22	395081	O-Ring ø 47.30x2.62	1	78	1200430	Screw M6x16	4			
23	3200090	Disc	1							
24	3200080	Oil indicator	1		AR64516	Oil	2			
25	3200070	Cover	1			<i>OIL CAPACITY - 9.81 OZ</i>				
26	1200430	Screw M8	(92 in/lbs) 8							
27	3201890	Vented oil cap	1							
28	1260110	Nut	(106 in/lbs) 3							
29	1260100	Washer	3							
30	1260210	Piston	3							
31	1260091	Spacer	3							
32	1260460	Seal	3							
33	480480	O-Ring ø 4.48x1.78	3							
34	3200060	Piston guide	3							
35	3200040	Conrod	3							

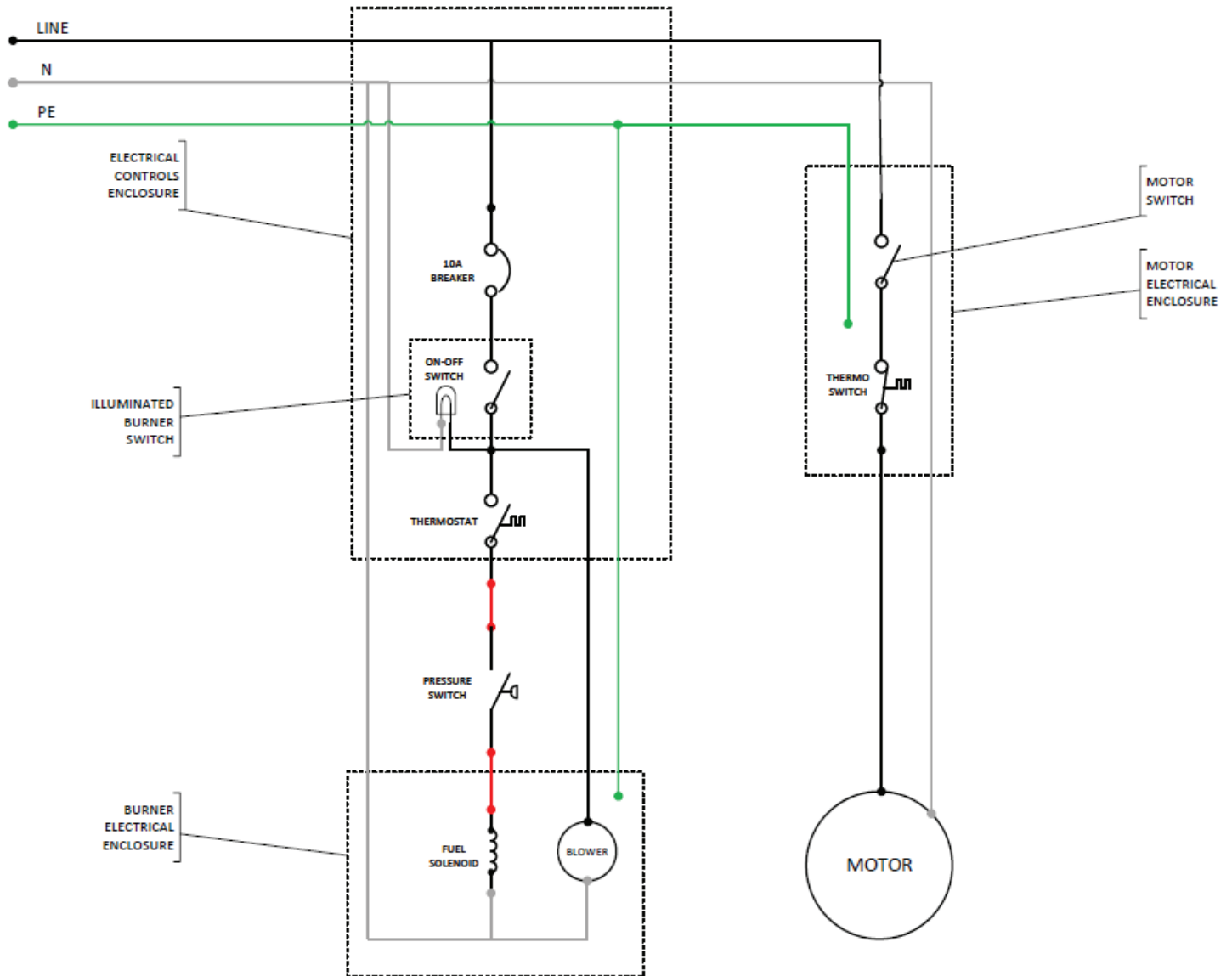


PARTS BREAKDOWN

HOT WATER PRESSURE WASHER

MODEL:HW205EBA

WIRING DIAGRAM



BE

POWER EQUIPMENT

If you need technical assistance call:

1-866-850-6662

(8:00am - 4:30pm PST, Mon - Fri)